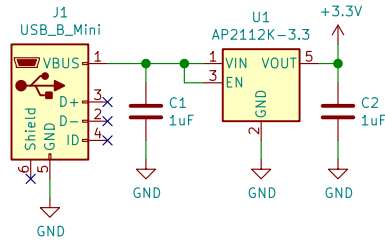
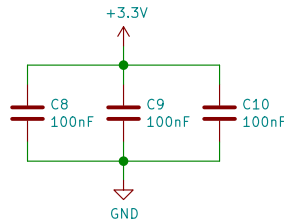


USB PWR

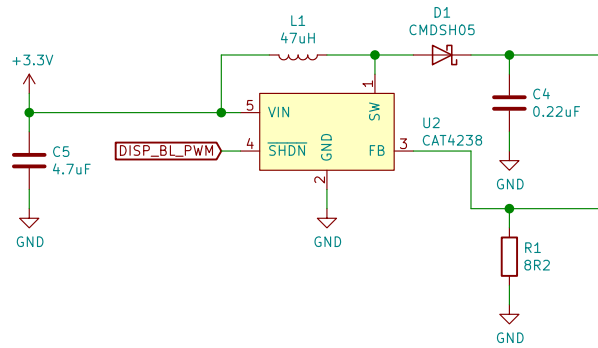


MCU

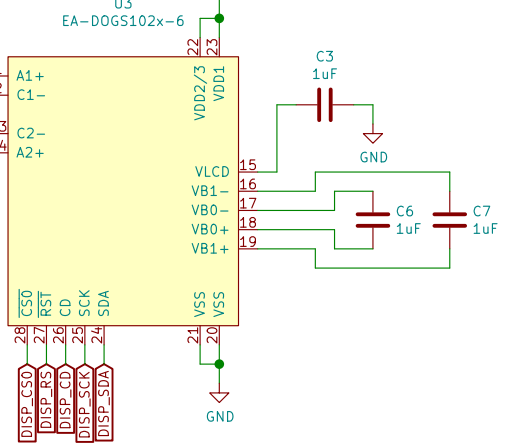
Decoupling



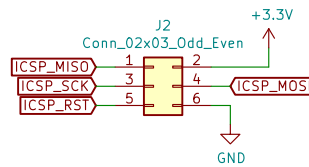
Display Backlight



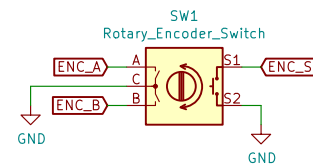
Display



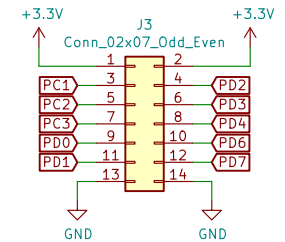
ICSP



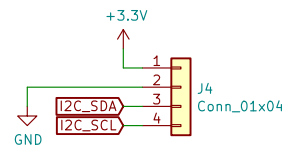
Encoder



Breakout



I2C



U4
Atmega328P-PU

Sheet: /
File: clock_gen.sch

Title:

Size: A4
KiCad E.D.A. kicad 5.0.2+dfsg1-1

Date:

Rev:

Id: 1/1